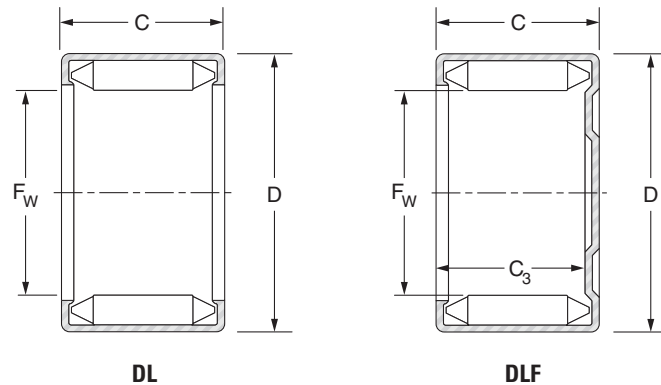


Needle bushes, full complement, retained

open series DL

closed end series DLF



Shaft ∅ mm	Designation	Fw mm	D mm	C mm	C ₃ min. mm	Load Ratings kN		Speed limit min ⁻¹		Weight kg	Internal ring
						Dynamic	Static	Grease	Oil		
						C	C ₀				
44	DL 44 16	44	52	16	–	23.80	57.00	4400	6800	0.056	
	DLF 44 16	44	52	16	13.7	23.80	57.00	4400	6800	0.066	
47	DL 47 16	47	55	16	–	25.00	61.00	4200	6400	0.060	
	DLF 47 16	47	55	16	13.7	25.00	61.00	4200	6400	0.071	
50	DL 50 12	50	58	12	–	20.00	50.00	3900	6000	0.047	
	DLF 50 12	50	58	12	9.7	20.00	50.00	3900	6000	0.061	
	DL 50 18	50	58	18	–	36.50	92.00	3900	6000	0.071	
	DLF 50 18	50	58	18	15.7	36.50	92.00	3900	6000	0.085	
	DL 50 20	50	58	20	–	37.00	93.00	3900	6000	0.077	JR45x50x20
	DLF 50 20	50	58	20	17.7	37.00	93.00	3900	6000	0.091	JR45x50x20
55	DL 55 20	55	63	20	–	39.5	102.0	3600	5500	0.086	JR50x55x20
	DLF 55 20	55	63	20	17.7	39.5	102.0	3600	5500	0.102	JR50x55x20